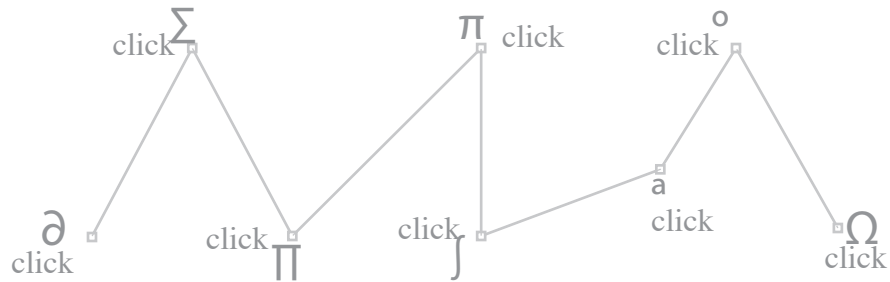
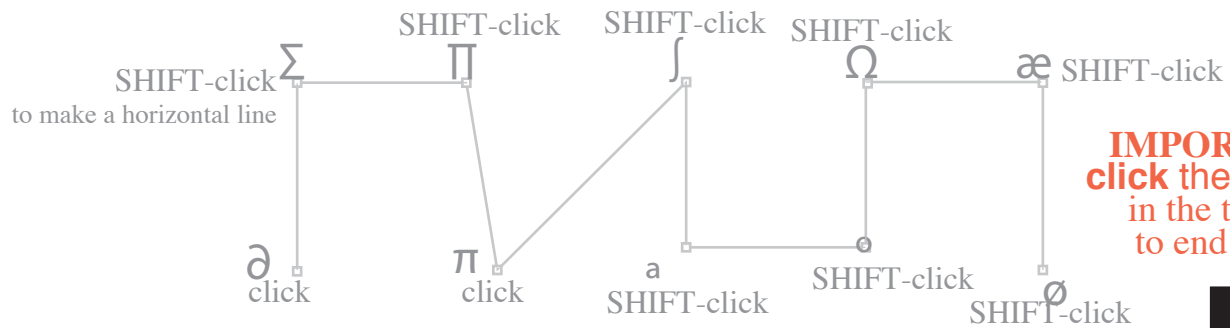


**1 click:** with the **Pen** tool for no handles (straight lines)

**IMPORTANT:**  
click the **Pen** tool  
in the toolbox  
to end object



**2 Shift-click:** with the **Pen** tool for vertical, horizontal or 45° straight lines

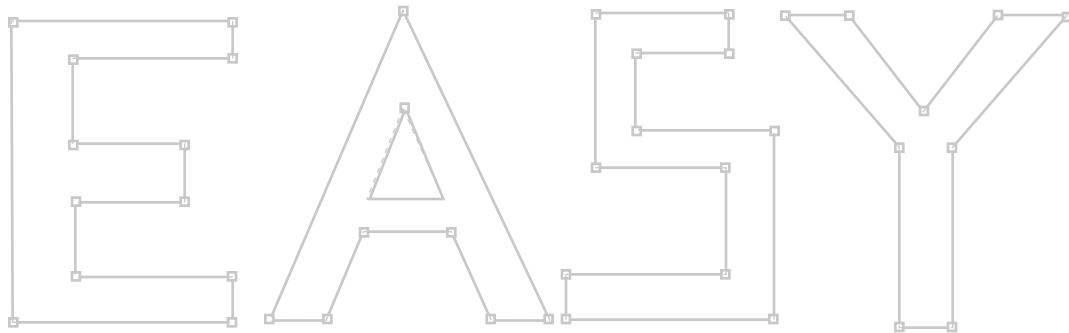


**IMPORTANT:**  
click the **Pen** tool  
in the toolbox  
to end object



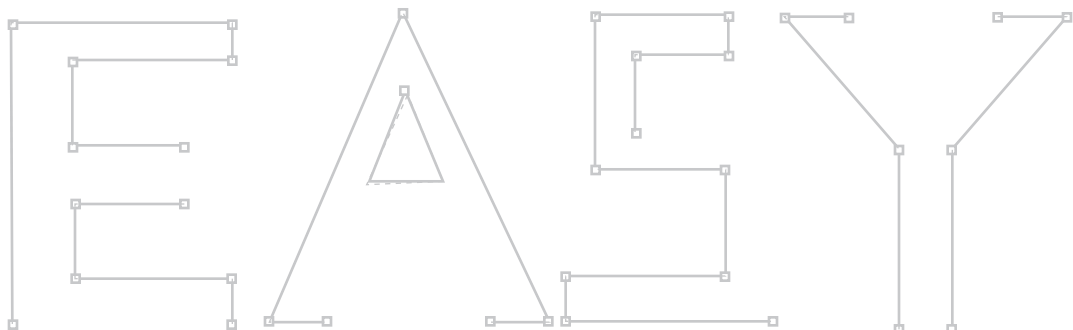
Scroll down for **Lessons 3 & 4.**

**3**



**4** Remember to reselect the **Pen** tool to start a new object

**IMPORTANT:**  
click the **Pen** tool  
in the toolbox  
to end object



For Bézier curve **Lessons 5-12** open the file **4•Zen Bézier Curves (5-12).**