

Creating a 3D Metal Pipe

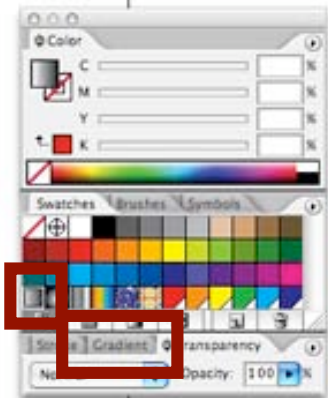
This is what we will create:



1. Open Illustrator and create a new document (File > New)
2. Using the Rectangular Tool, create a long rectangle



3. By selecting the linear gradient in the "swatches" palette, change the fill from a solid color to a gradient.

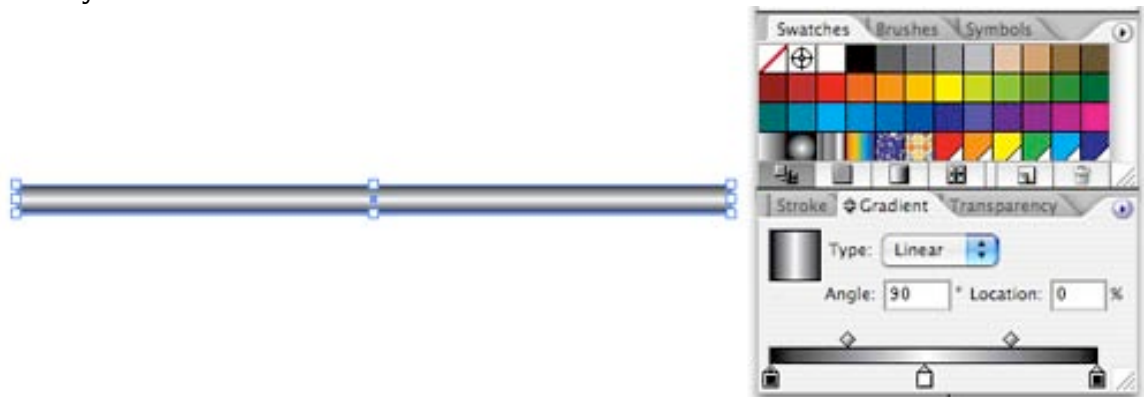


Illustrator Tip: If you are ever missing, or cannot see one of your palettes, you can turn it on using the "Window" menu. All your palettes will be under there.

4. Select the "Gradient" tab underneath the "Stroke" or "Transparency" palette.
5. Click on the fly-out menu tab in the Gradient Palette, make sure "Show Options" is selected



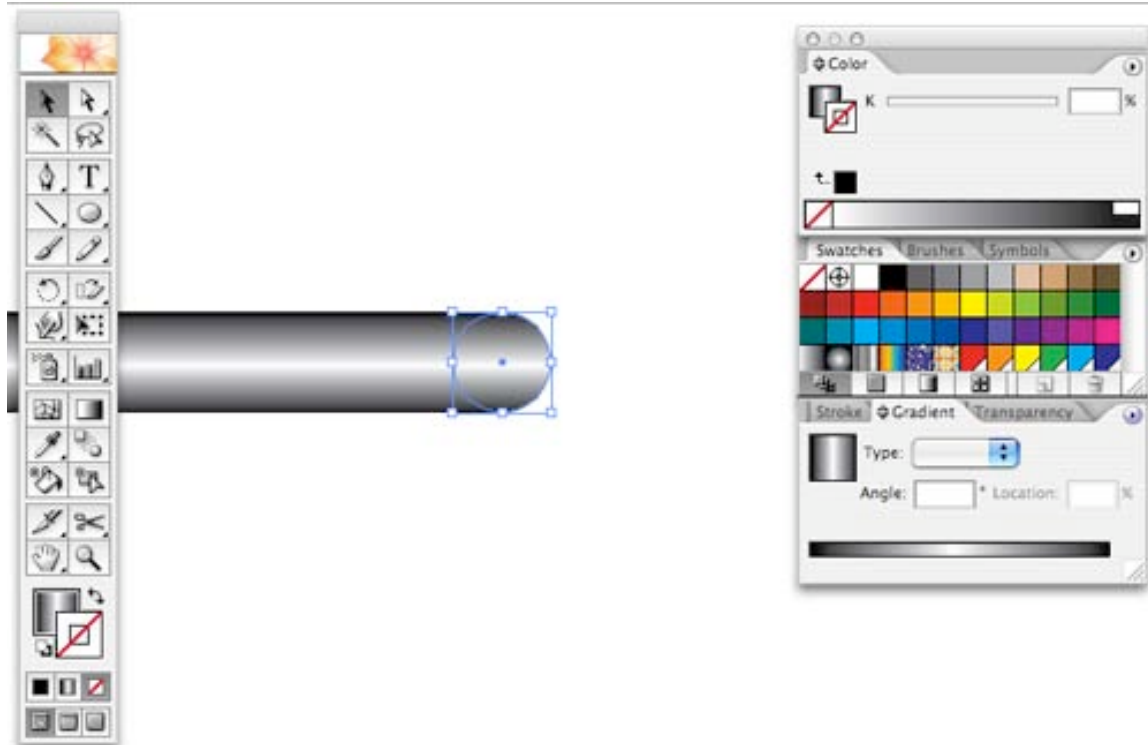
6. Now we need to change the Gradient angle to 90 degrees, and add a black color to the end of our gradient so our gradient goes from black to white to black.
 - a. First, in the gradient palette, move the white crayon to the center of the gradient.
 - b. Then click and drag the black swatch from the above "swatches" palette down to the end of the gradient spectrum, so there are now two black crayons



7. Zoom into your page (Command + plus sign) to see the very tip of your pipe
8. Using the Circle Tool, under the Rectangle Tool, create a circle whose top and bottom aligns with the top and bottom of the existing rectangle. The middle of the circle should line up with the existing side ends of the rectangle.
9. Give the circle a black stroke



10. Create a copy of the circle you just made (Edit > Copy)
11. Using your hand tool (spacebar) go to the other end of your pipe
12. Paste (Command + V) and using the black arrow tool, position your new circle on the pipe end
13. Delete the circle's line



Here's the finished piece!

